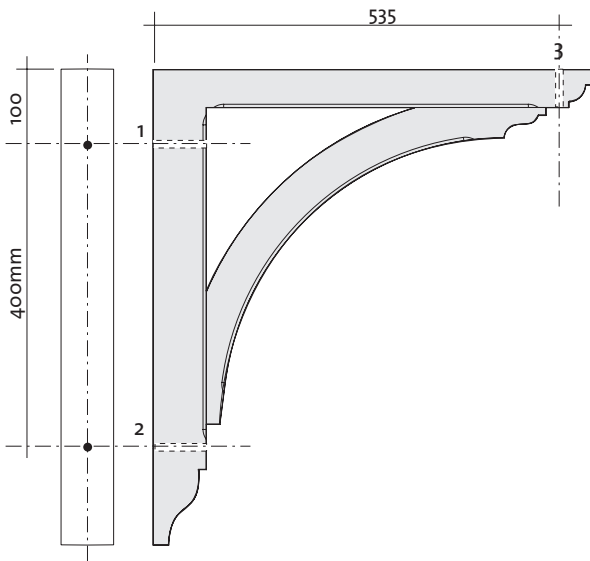


Orac (UK) Ltd.  
Tel: +44 (0)1483-271 211 - Fax: +44 (0)1483-278 317  
www.oracdecor.com - orac.uk@oracdecor.com

UM 900-0605

INSTALLATION INSTRUCTIONS

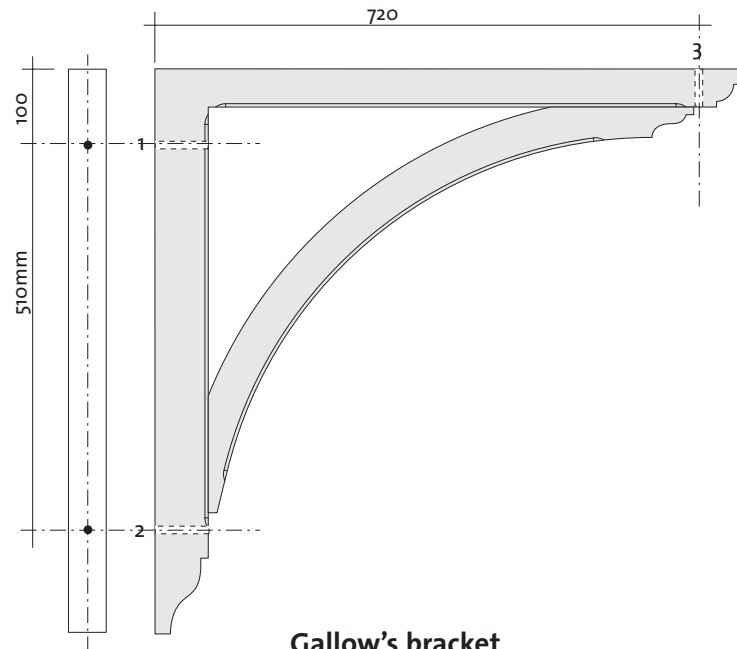
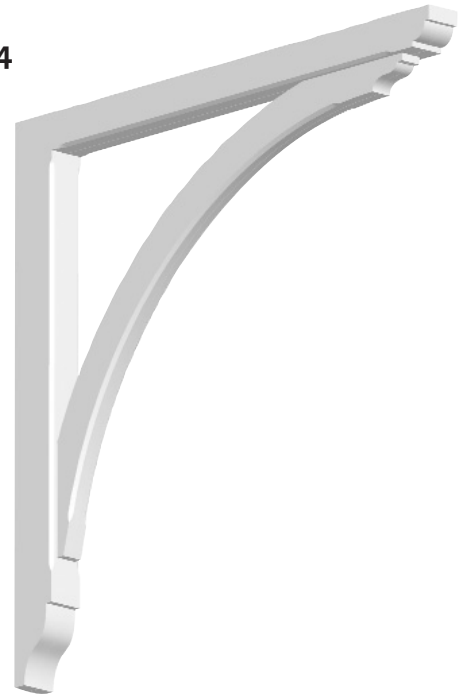
**GB.03**



**Gallow's bracket  
GB.03**

70 x 630 x 580 mm  
2<sup>3</sup>/<sub>4</sub>" x 24<sup>13</sup>/<sub>16</sub>" x 22<sup>7</sup>/<sub>8</sub>"  
(W x H x D)  
structural max. 75 kg\*

**GB.04**



**Gallow's bracket  
GB.04**

50 x 745 x 770 mm  
2" x 29<sup>5</sup>/<sub>16</sub>" x 30<sup>5</sup>/<sub>16</sub>"  
(W x H x D)  
structural max. 75 kg\*

\* Tested by University of Ostend, and applies where loading is evenly distributed across the brackets.

